

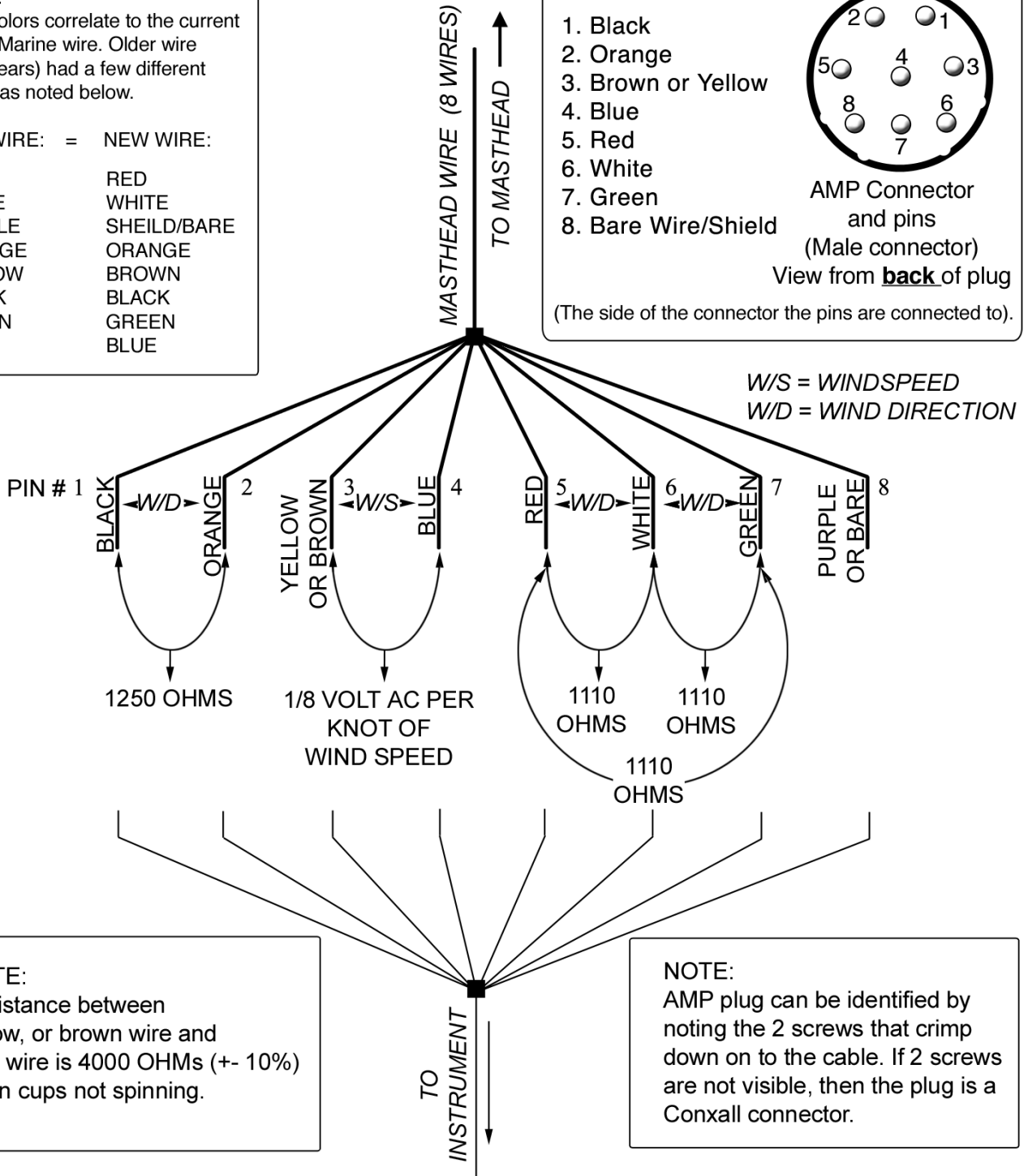
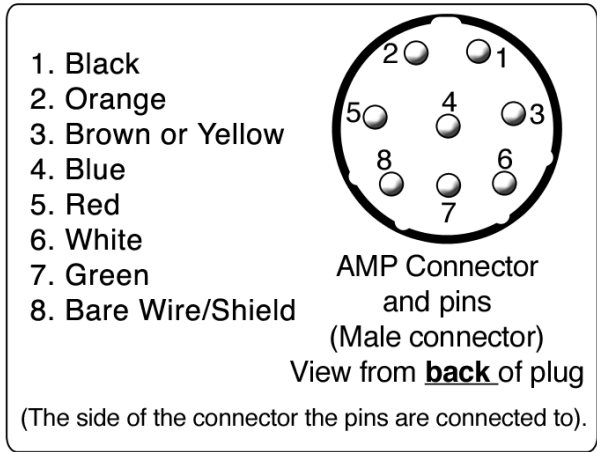
MASTHEAD SENSOR WIRING

To test Masthead Sensor M2430-2
 with AMP connector

AMP

NOTE:
 Wire colors correlate to the current SignetMarine wire. Older wire (+12 years) had a few different colors as noted below.

OLD WIRE:	=	NEW WIRE:
RED	=	RED
WHITE	=	WHITE
PURPLE	=	SHEILD/BARE
ORANGE	=	ORANGE
YELLOW	=	BROWN
BLACK	=	BLACK
GREEN	=	GREEN
BLUE	=	BLUE



NOTE:
 Resistance between yellow, or brown wire and blue wire is 4000 OHMs (+- 10%) when cups not spinning.

NOTE:
 AMP plug can be identified by noting the 2 screws that crimp down on to the cable. If 2 screws are not visible, then the plug is a Conxall connector.