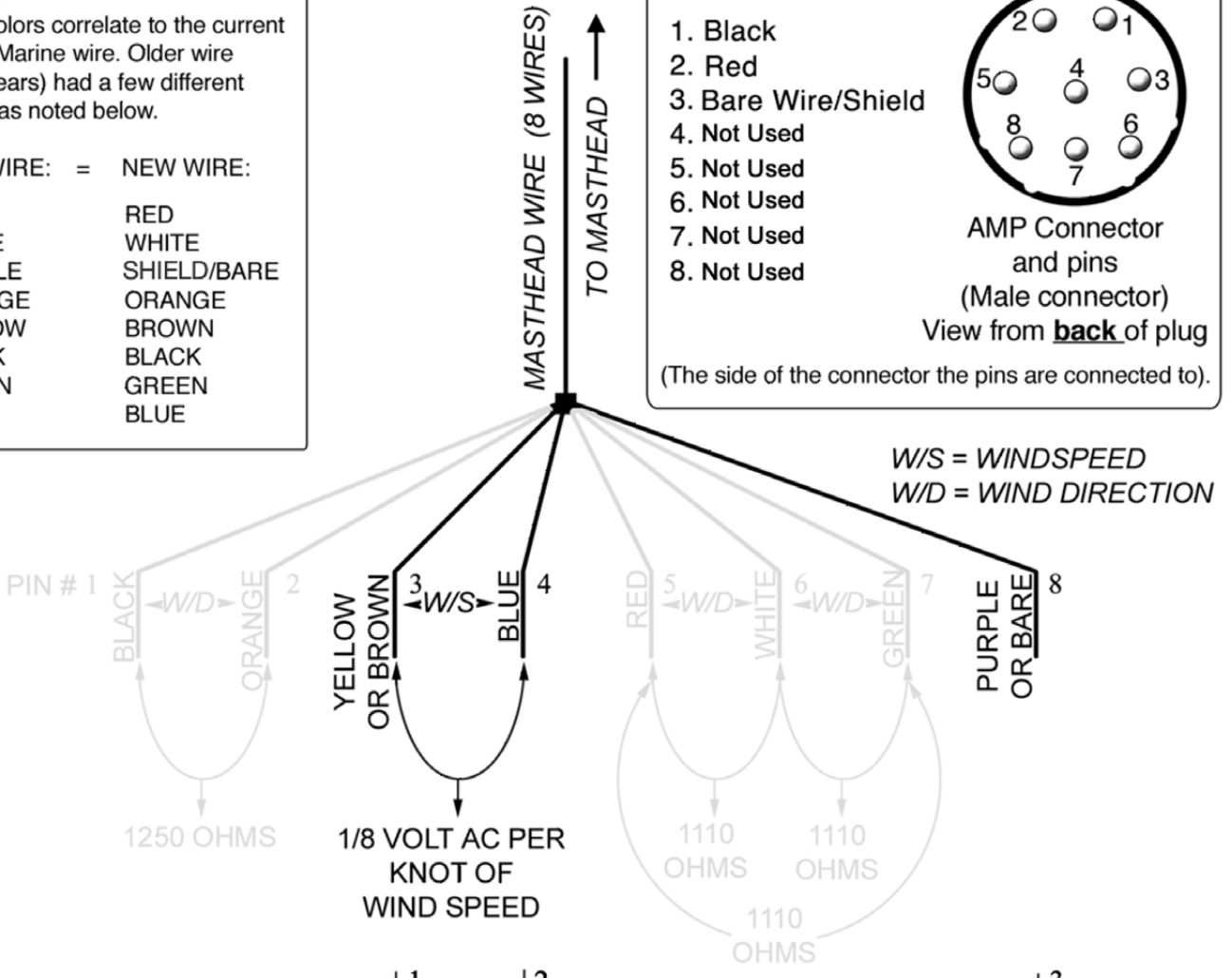
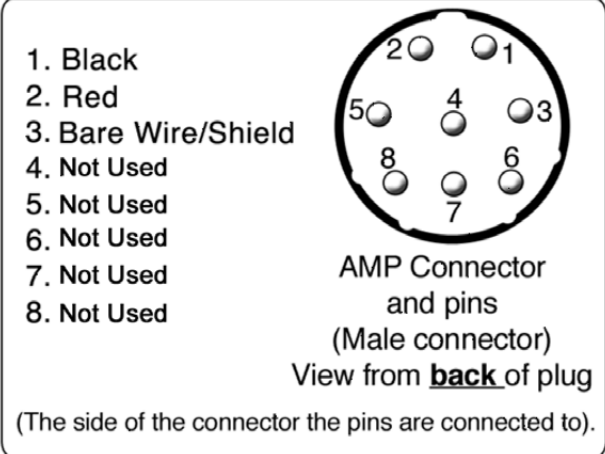


MK30 Wiring Diagram

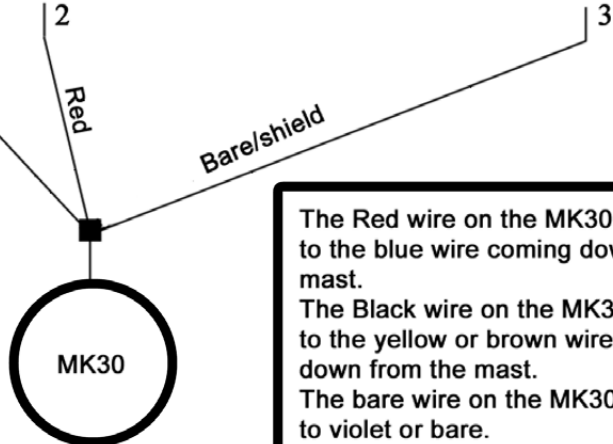
NOTE:
 Wire colors correlate to the current SignetMarine wire. Older wire (+12 years) had a few different colors as noted below.

OLD WIRE: = NEW WIRE:

RED	RED
WHITE	WHITE
PURPLE	SHIELD/BARE
ORANGE	ORANGE
YELLOW	BROWN
BLACK	BLACK
GREEN	GREEN
BLUE	BLUE



NOTE:
 Resistance between yellow, or brown wire and blue wire is 4000 OHMs (+- 10%) when cups not spinning.



The Red wire on the MK30 connects to the blue wire coming down from the mast.
 The Black wire on the MK30 connects to the yellow or brown wire coming down from the mast.
 The bare wire on the MK30 connects to violet or bare.